

# *Best for the Roses*

*Roses product family*





As we all know roses will blossom fully at room temperature in just one day. Storing your flowers in ambient water has been the solution in the past. As the day goes on this water warms, and the flowers suffer. Now this loss of profit that you have faced each day is a thing of the past. The new flower cabinet from Norpe ensures the ideal environment for cut flowers. Water temperature being close to +0 °C makes the roses open out slower and they will stay fresh longer. You have longer product life, your customers have improved product quality. You have less wastage and more profit – everyone benefits by using the latest display from Norpe.

## *EuroClassic Roses*



**ECL-130A-M Roses**



### **Standard model**

Length: 1280 mm  
Height: 1880 mm  
Depth: 735 mm

### **Standard equipment**

- lighting in the front edge of the canopy
- solar thermometer
- 300 mm shelf with consoles
- 80 mm acrylic front riser on shelf
- bottom plate for flower buckets (8 places) + cover sheets (stainless)
- 3 stepped mirror

### **Optional accessories**

- defrost water outlet pipe instead of electrical water disposal
- water pump for removing defrost water
- upright lighting for end panel
- night blind
- price trims for shelf
- condenser pressure control with signal light
- control devices
- end bumper trim

# NorCon Roses



NorCon-120-M Roses



NorCon-90-M Roses



## Standard model

Length: 880 and 1200 mm  
Height: 1360 mm  
Depth: 660 mm

## Standard equipment

- evaporator with fan
- upright lighting
- solar thermometer
- integral compressor complete with control devices
- electronic thermostat
- electrical defrost water disposal
- bottom plate for flower buckets + cover sheets (stainless)
- castor wheels
- mirror with holders in the back of the cabinet

## Optional accessories

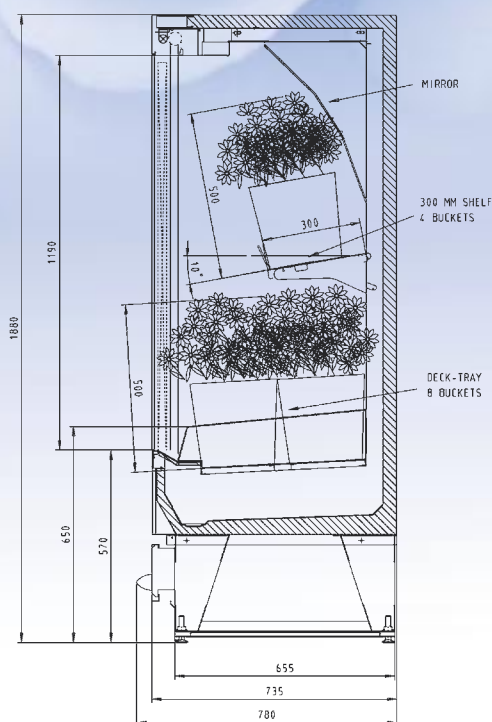
- light canopy on top
- glass shelf in the front of cabinet for model 120-M
- condenser pressure control with signal light
- integration kit for back to back model



Two cabinets can be built back-to-back to make an island with an optional integration kit. Please note that a light canopy cannot be used on a back-to-back model.

# Best for the Roses

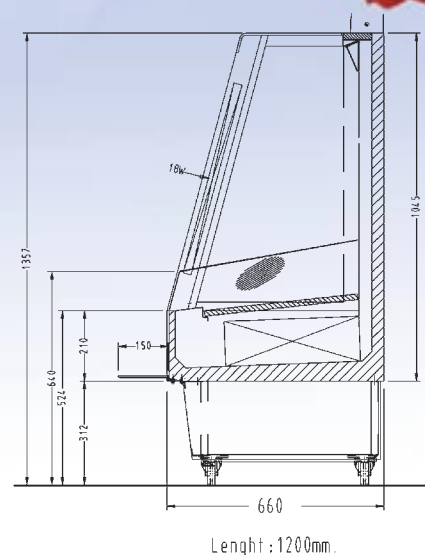
Roses product family



## Technical information

### ECL-130A-M Roses

Display area: 0,97 m<sup>2</sup>  
Power supply: 2300 W  
Temperature: +4 °C...+9 °C  
Water temperature: +0 °C...+5 °C  
on the bottom shelf



## Technical information

### NorCon-90-M

Display area: 0,44 m<sup>2</sup>  
Power supply: 1370 W

### NorCon-120-M

Display area: 0,63 m<sup>2</sup>  
Power supply: 1500 W  
Temperature: +4 °C...+9 °C  
Water temperature: +0 °C...+5 °C



**norpe 50** 1953  
2003

## Norpe Ltd.

P.O. Box 24 (Teollisuustie 7)  
FIN-06151 Porvoo, Finland  
Tel. +358 204 86 5020  
Fax +358 204 86 5350  
marketing@norpe.fi  
www.norpe.fi  
www.norpe.com

Subject to alterations without notice