

SPIRIT

DESIGN FURNITURES IN SUPERMARKET.



THE SIGN OF COOL QUALITY

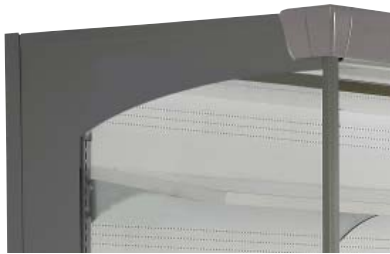
Caring for the future

SPIRIT



New form of canopy.

- Superior product visibility
- Large display area for demanding products
- Stylish and dynamic form of canopy
- Wider air channels for improved air circulation
- Optimised suction grid
- Easy to install and maintain



Cover plate Arc, standard model.

STANDARD FEATURES

- fan evaporator and expansion valves standard for R404A and CO₂ refrigerant
- fans
- defrosting rod
- defrost water connections for each unit, external diameter 40 mm
- thermometer
- overhead light fitting
- electricity switch box on the top of the cabinet
- full-length drainage kit
- cover plate Arc
- shelf console 0°, 10°, 20°, three different position



Removable suction grid.



OPTIONAL EQUIPMENT

- expansion valves for other refrigerants
- energy saving fans
- glass or mirrored end panel
- partition end panel
- bumper trim for end panel
- shelf with consoles 300, 400, 450, 500 and 600 mm
- shelf lights
- holders, dividers etc.
- night curtains motorised or manual
- automatic control system
- extension kit
- external lighting equipment
- optional cover plate models Art Deco, Tree, Bead and Crystal or own design
- ticket strip holder
- corner cover



SPiRiT

SPiRiT MD30 TECHNICAL DATA

| | 300 mm | | Length | Depth | 1) Refr. area m ² |
|------------------|-----------------------------|-----------------------|--------|-------|------------------------------|
| | Front height | Cabinet heights | | | |
| Front height | 300 mm | | | | |
| Cabinet heights | 2010 and 2210 mm | | | | |
| Air temperature | 0...+2 °C or +2... +4 °C | | | | |
| | Min. power input W | 1) Max. power input W | | | |
| MD30-82-201-125 | 350 | 494 | 1250 | 817 | 2.0 |
| MD30-82-201-188 | 738 | 978 | 1875 | 817 | 3.0 |
| MD30-82-201-250 | 950 | 1238 | 2500 | 817 | 4.0 |
| MD30-82-201-375 | 1400 | 1832 | 3750 | 817 | 6.0 |
| MD30-82-221-125 | 350 | 530 | 1250 | 817 | 2.4 |
| MD30-82-221-188 | 738 | 1038 | 1875 | 817 | 3.6 |
| MD30-82-221-250 | 950 | 1310 | 2500 | 817 | 4.8 |
| MD30-82-221-375 | 1400 | 1940 | 3750 | 817 | 7.1 |
| MD30-101-201-125 | 350 | 494 | 1250 | 1007 | 3.0 |
| MD30-101-201-188 | 738 | 978 | 1875 | 1007 | 4.5 |
| MD30-101-201-250 | 950 | 1238 | 2500 | 1007 | 6.0 |
| MD30-101-201-375 | 1400 | 1832 | 3750 | 1007 | 9.0 |
| MD30-101-221-125 | 350 | 530 | 1250 | 1007 | 3.6 |
| MD30-101-221-188 | 738 | 1038 | 1875 | 1007 | 5.4 |
| MD30-101-221-250 | 950 | 1310 | 2500 | 1007 | 7.1 |
| MD30-101-221-375 | 1400 | 1940 | 3750 | 1007 | 10.7 |
| MD30-111-201-125 | 350 | 494 | 1250 | 1107 | 3.4 |
| MD30-111-201-188 | 738 | 978 | 1875 | 1107 | 5.1 |
| MD30-111-201-250 | 950 | 1238 | 2500 | 1107 | 6.8 |
| MD30-111-201-375 | 1400 | 1832 | 3750 | 1107 | 10.1 |
| MD30-111-221-125 | 350 | 530 | 1250 | 1107 | 4.0 |
| MD30-111-221-188 | 738 | 1038 | 1875 | 1107 | 6.0 |
| MD30-111-221-250 | 950 | 1310 | 2500 | 1107 | 8.0 |
| MD30-111-221-375 | 1400 | 1940 | 3750 | 1107 | 12.0 |
| MD30-121-201-125 | 350 | 494 | 1250 | 1207 | 4.0 |
| MD30-121-201-188 | 738 | 978 | 1875 | 1207 | 6.0 |
| MD30-121-201-250 | 950 | 1238 | 2500 | 1207 | 8.0 |
| MD30-121-201-375 | 1400 | 1832 | 3750 | 1207 | 12.0 |
| MD30-121-221-125 | 350 | 530 | 1250 | 1207 | 4.8 |
| MD30-121-221-188 | 738 | 1038 | 1875 | 1207 | 7.1 |
| MD30-121-221-250 | 950 | 1310 | 2500 | 1207 | 9.5 |
| MD30-121-221-375 | 1400 | 1940 | 3750 | 1207 | 14.3 |

END CABINETS

| | | | | | |
|--------------------|-----|------|------|------|-----|
| MD30-101-201-192-E | 755 | 1043 | 1920 | 1007 | 4.6 |
| MD30-101-201-212-E | 738 | 1026 | 2120 | 1007 | 5.1 |
| MD30-101-201-232-E | 888 | 1176 | 2320 | 1007 | 5.6 |
| MD30-101-221-192-E | 755 | 1115 | 1920 | 1007 | 5.5 |
| MD30-101-221-212-E | 738 | 1098 | 2120 | 1007 | 6.1 |
| MD30-101-221-232-E | 888 | 1248 | 2320 | 1007 | 6.6 |
| MD30-111-201-192-E | 755 | 1043 | 1920 | 1107 | 5.2 |
| MD30-111-201-212-E | 738 | 1026 | 2120 | 1107 | 5.7 |
| MD30-111-201-232-E | 888 | 1176 | 2320 | 1107 | 6.3 |
| MD30-111-221-192-E | 755 | 1115 | 1920 | 1107 | 6.2 |
| MD30-111-221-212-E | 738 | 1098 | 2120 | 1107 | 6.8 |
| MD30-111-221-232-E | 888 | 1248 | 2320 | 1107 | 7.4 |
| MD30-121-201-192-E | 755 | 1043 | 1920 | 1207 | 6.2 |
| MD30-121-201-212-E | 738 | 1026 | 2120 | 1207 | 6.8 |
| MD30-121-201-232-E | 888 | 1176 | 2320 | 1207 | 7.4 |
| MD30-121-221-192-E | 755 | 1115 | 1920 | 1207 | 7.3 |
| MD30-121-221-212-E | 738 | 1098 | 2120 | 1207 | 8.1 |
| MD30-121-221-232-E | 888 | 1248 | 2320 | 1207 | 8.8 |

SPiRiT MD43 TECHNICAL DATA

| | 430 mm | | Length | Depth | 1) Refr. area m ² |
|------------------|-----------------------------|-----------------------|--------|-------|------------------------------|
| | Front height | Cabinet heights | | | |
| Front height | 430 mm | | | | |
| Cabinet heights | 2010 and 2210 mm | | | | |
| Air temperature | 0...+2 °C or +2... +4 °C | | | | |
| | Min. power input W | 1) Max. power input W | | | |
| MD43-82-201-125 | 350 | 494 | 1250 | 817 | 2.0 |
| MD43-82-201-188 | 738 | 978 | 1875 | 817 | 3.0 |
| MD43-82-201-250 | 950 | 1238 | 2500 | 817 | 4.0 |
| MD43-82-201-375 | 1400 | 1832 | 3750 | 817 | 6.0 |
| MD43-82-221-125 | 350 | 530 | 1250 | 817 | 2.4 |
| MD43-82-221-188 | 738 | 1038 | 1875 | 817 | 3.6 |
| MD43-82-221-250 | 950 | 1310 | 2500 | 817 | 4.8 |
| MD43-82-221-375 | 1400 | 1940 | 3750 | 817 | 7.1 |
| MD43-101-201-125 | 350 | 494 | 1250 | 1007 | 3.0 |
| MD43-101-201-188 | 738 | 978 | 1875 | 1007 | 4.5 |
| MD43-101-201-250 | 950 | 1238 | 2500 | 1007 | 6.0 |
| MD43-101-201-375 | 1400 | 1832 | 3750 | 1007 | 9.0 |
| MD43-101-221-125 | 350 | 530 | 1250 | 1007 | 3.6 |
| MD43-101-221-188 | 738 | 1038 | 1875 | 1007 | 5.4 |
| MD43-101-221-250 | 950 | 1310 | 2500 | 1007 | 7.1 |
| MD43-101-221-375 | 1400 | 1940 | 3750 | 1007 | 10.7 |
| MD43-111-201-125 | 350 | 494 | 1250 | 1107 | 3.4 |
| MD43-111-201-188 | 738 | 978 | 1875 | 1107 | 5.1 |
| MD43-111-201-250 | 950 | 1238 | 2500 | 1107 | 6.8 |
| MD43-111-201-375 | 1400 | 1832 | 3750 | 1107 | 10.1 |
| MD43-111-221-125 | 350 | 530 | 1250 | 1107 | 4.0 |
| MD43-111-221-188 | 738 | 1038 | 1875 | 1107 | 6.0 |
| MD43-111-221-250 | 950 | 1310 | 2500 | 1107 | 8.0 |
| MD43-111-221-375 | 1400 | 1940 | 3750 | 1107 | 12.0 |
| MD43-121-201-125 | 350 | 494 | 1250 | 1207 | 4.0 |
| MD43-121-201-188 | 738 | 978 | 1875 | 1207 | 6.0 |
| MD43-121-201-250 | 950 | 1238 | 2500 | 1207 | 8.0 |
| MD43-121-201-375 | 1400 | 1832 | 3750 | 1207 | 12.0 |
| MD43-121-221-125 | 350 | 530 | 1250 | 1207 | 4.8 |
| MD43-121-221-188 | 738 | 1038 | 1875 | 1207 | 7.1 |
| MD43-121-221-250 | 950 | 1310 | 2500 | 1207 | 9.5 |
| MD43-121-221-375 | 1400 | 1940 | 3750 | 1207 | 14.3 |

END CABINETS

| | | | | | |
|--------------------|-----|------|------|------|-----|
| MD43-101-201-192-E | 738 | 978 | 2010 | 1007 | 4.6 |
| MD43-101-201-212-E | 738 | 978 | 2120 | 1007 | 5.1 |
| MD43-101-201-232-E | 888 | 1128 | 2320 | 1007 | 5.6 |
| MD43-101-221-212-E | 738 | 1038 | 2120 | 1007 | 6.1 |
| MD43-101-221-232-E | 888 | 1188 | 2320 | 1007 | 6.6 |
| MD43-121-201-212-E | 738 | 978 | 2120 | 1207 | 6.8 |
| MD43-121-201-232-E | 888 | 1128 | 2320 | 1207 | 7.4 |
| MD43-121-221-212-E | 738 | 1038 | 2120 | 1207 | 8.1 |
| MD43-121-221-232-E | 888 | 1188 | 2320 | 1207 | 8.8 |

VISION COLLECTION

How to read the code:

MD43-121-201-250

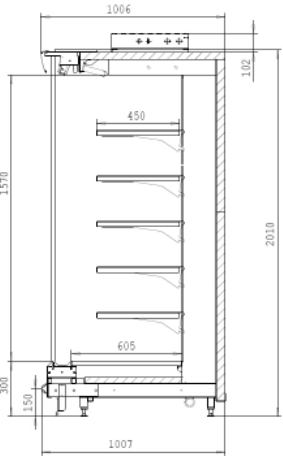
Front height Depth Height Length

Measures are centimeters.

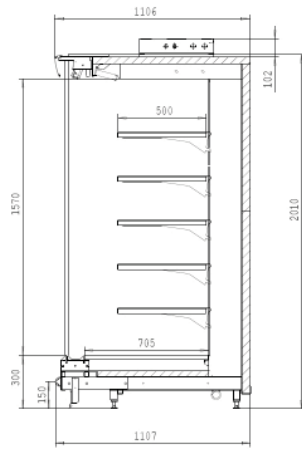
1) 2010 mm with 4 shelves and 2210 mm with 5 shelves.

SPIRIT

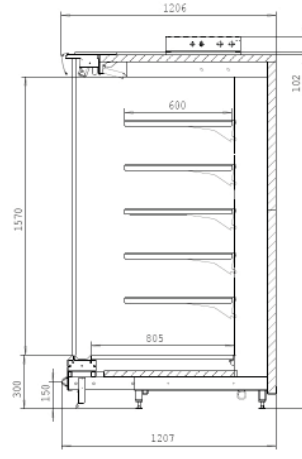
MD30, height 2010 mm



MD30-101-201 SPIRIT



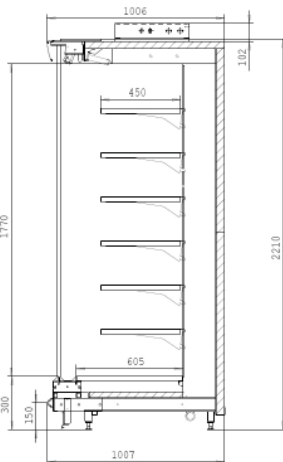
MD30-111-201 SPIRIT



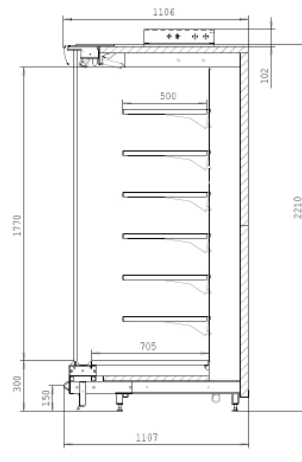
MD30-121-201 SPIRIT



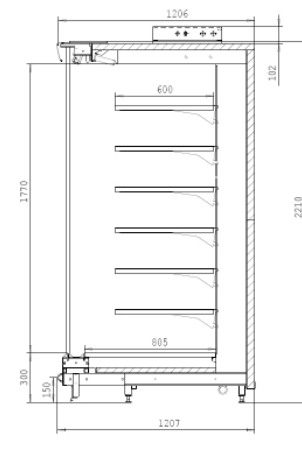
MD30, height 2210 mm



MD30-101-221 SPIRIT



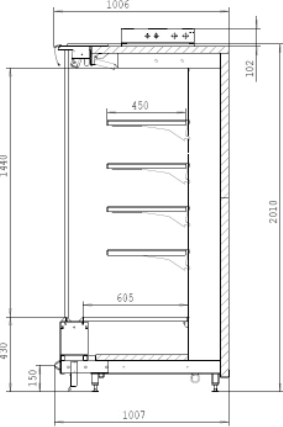
MD30-111-221 SPIRIT



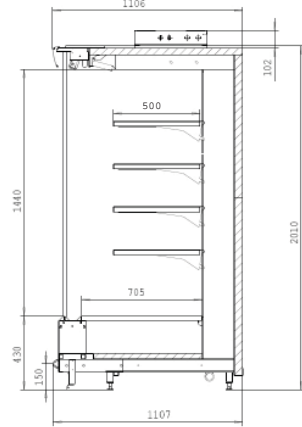
MD30-121-221 SPIRIT



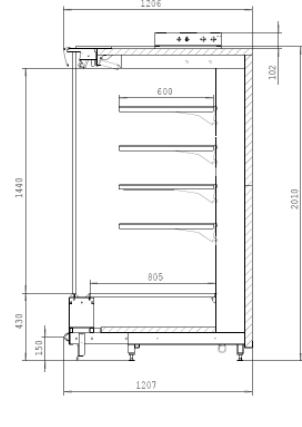
MD43, height 2010 mm



MD43-101-201 SPIRIT



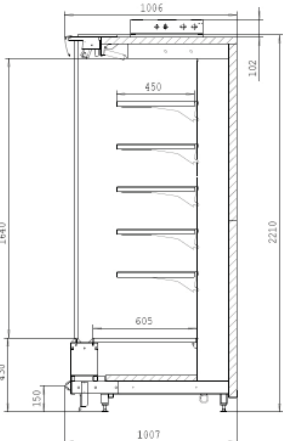
MD43-111-201 SPIRIT



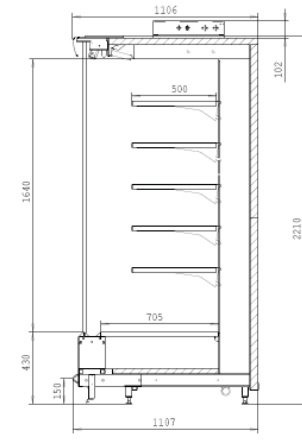
MD43-121-201 SPIRIT



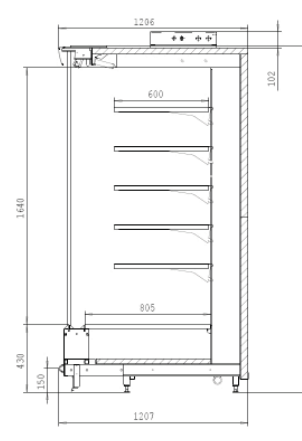
MD43, height 2210 mm



MD43-101-221 SPIRIT



MD43-111-221 SPIRIT



MD43-121-221 SPIRIT

